

POLYCARBONATE SUPPORT CLIP KIT

installation guide

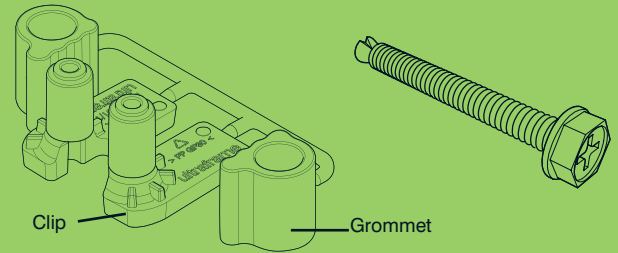
v1 0408

ref no 05949
PSCK001

Kit (DPCA010) contents -

5x Glazing clip pairs

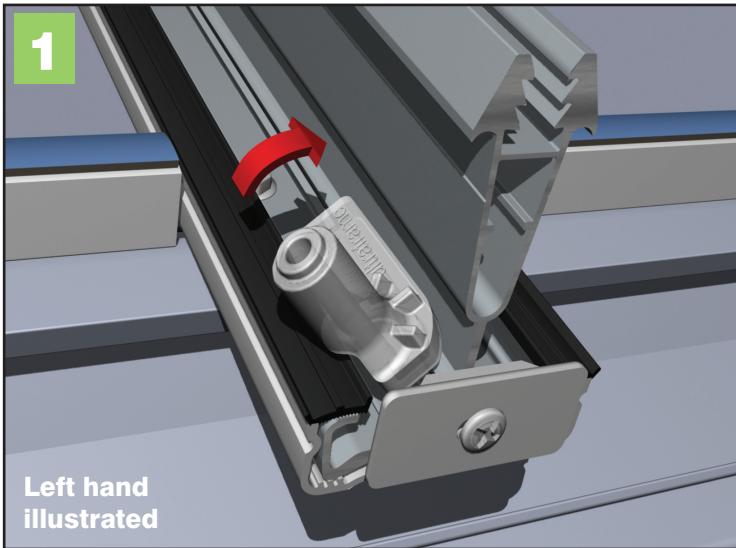
10x 4.8 x 45mm Hex Drill Kwik Screw



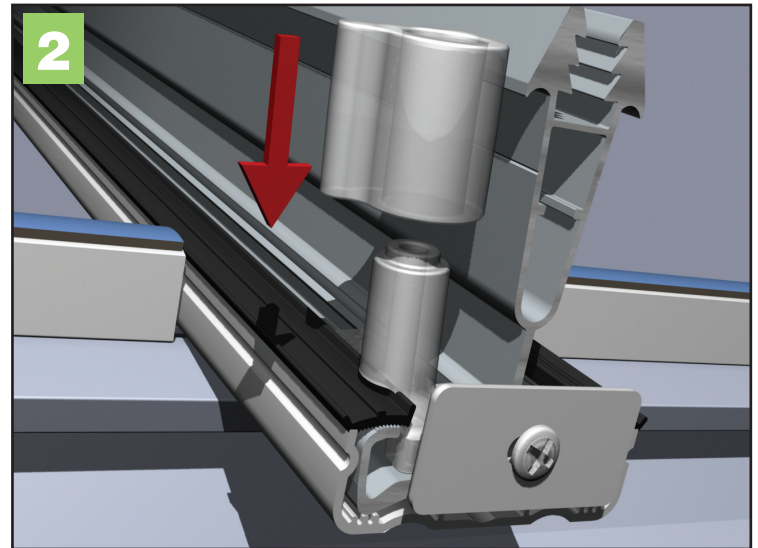
For Polycarbonate Roofs ONLY
Must not be used
with glass or solid panels

Tools required - 8mm socket or 8mm cross flats nut setter (A PH2 Phillips bit will also work)

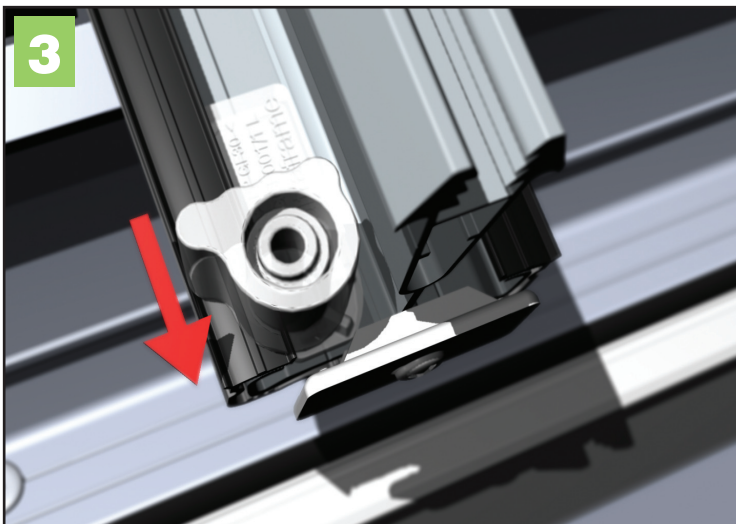
Notes 1 - Please ensure that the end cap fixing block is fitted prior to installation of the clips.
2 - Where box gutters abut host walls, support clips may need attaching to bar prior to bar fitment.



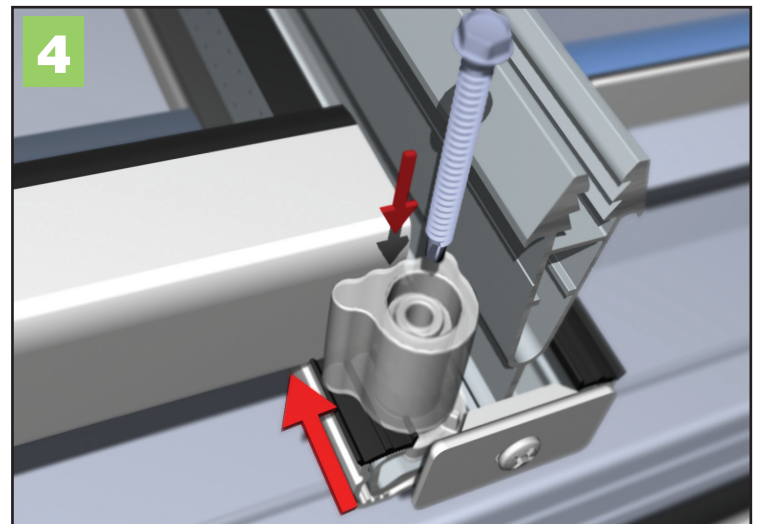
Snap off appropriate handed clip (left hand illustrated). Handing marked on base of clip. Line up the rounded edge on base plate next to central web of glazing bar then tuck neatly under gasket side of bar. Rotate clip into position.



Push the grommet over the post as shown.



Slide the complete assembly down the glazing bar, using the fixing block as the 'stop'. Next, lift the polycarbonate panel into position and centralise it. If necessary pack it out on each side.



Ensure the glazing end profile sits snugly behind the grommet (if necessary slide the complete assembly up the bar to ensure contact. In exceptional circumstances the grommet may need trimming). Now, using the fixing provided screw down into the bar as shown.
Ensure clip offers maximum support to glazing at all times.

TO BE READ IN CONJUNCTION WITH THE
FULL CLASSIC INSTALLATION GUIDE
Technical support 0870 414 1008

ultraframe